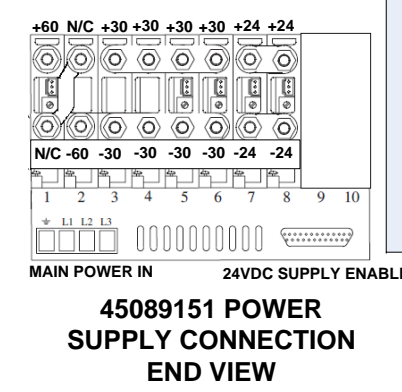


NOTE: THIS DIAGRAM IS INTENDED TO BE USED IN CONJUNCTION WITH 45096755 AC WIRING SCHEMATIC GS3250LX (LED) E-BOX & T-BOX AND 45098365 GS3250LX (LED), E-STOP AND M-STOP SCHEMATIC. THE AC WIRING AND ESTOP/MOTION STOP INTERCONNECT ARE NOT REPRESENTED ON THIS DIAGRAM.

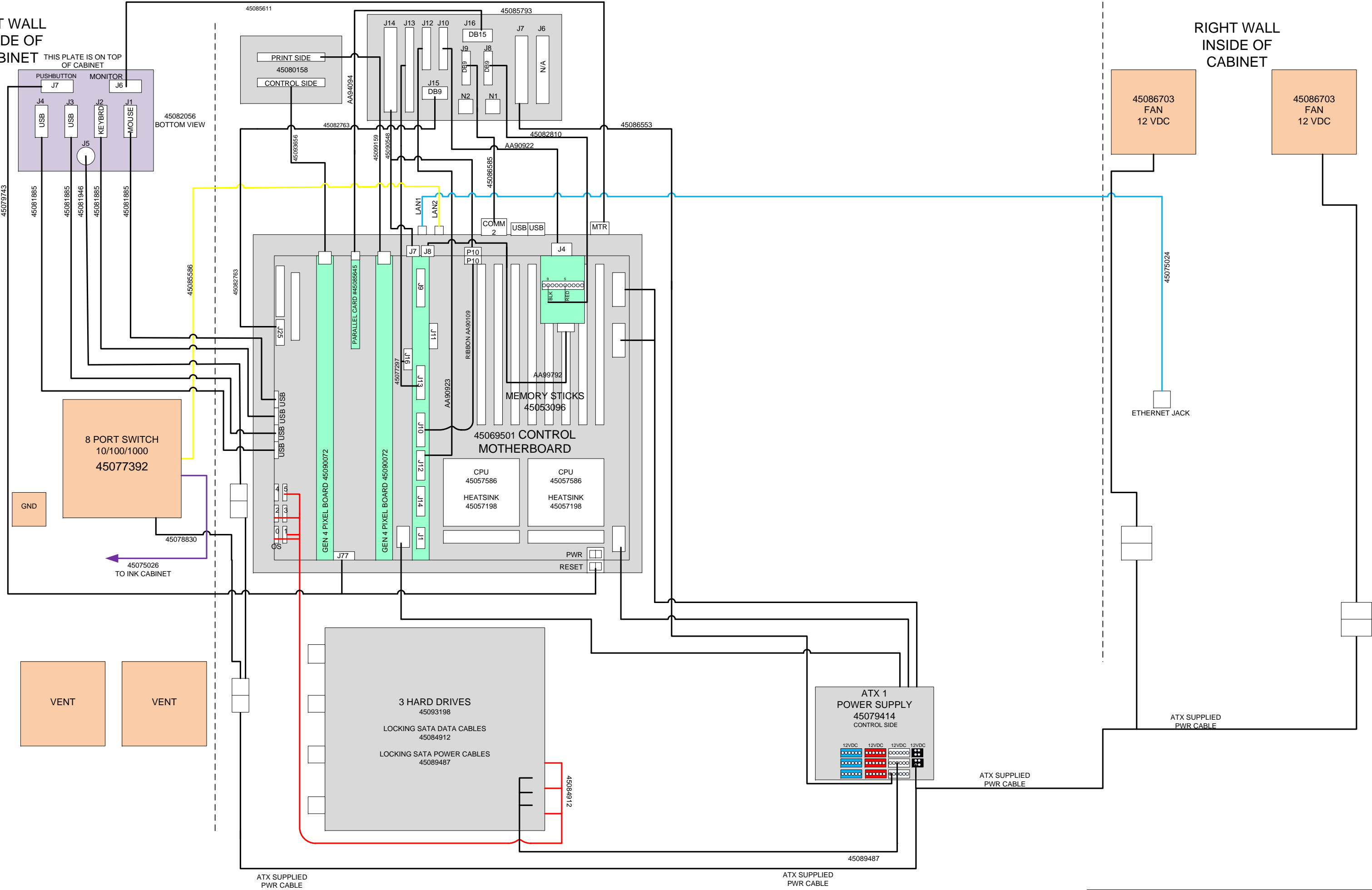
Electronics for Imaging
One VUTEk Place, Meredith, NH 03253

DC INTERCONNECT DIAGRAM FOR 45097643 ASSY, ELECTRONICS BOX GS 2.0 LED OPTION AC CABINET SIDE

Size	FSCM NO.	DWG NO.	Rev.
		45097942	4
Scale	Date	Sheet	OF
N/A	03/09/11 DRM	1	3



LEFT WALL
INSIDE OF
CABINET



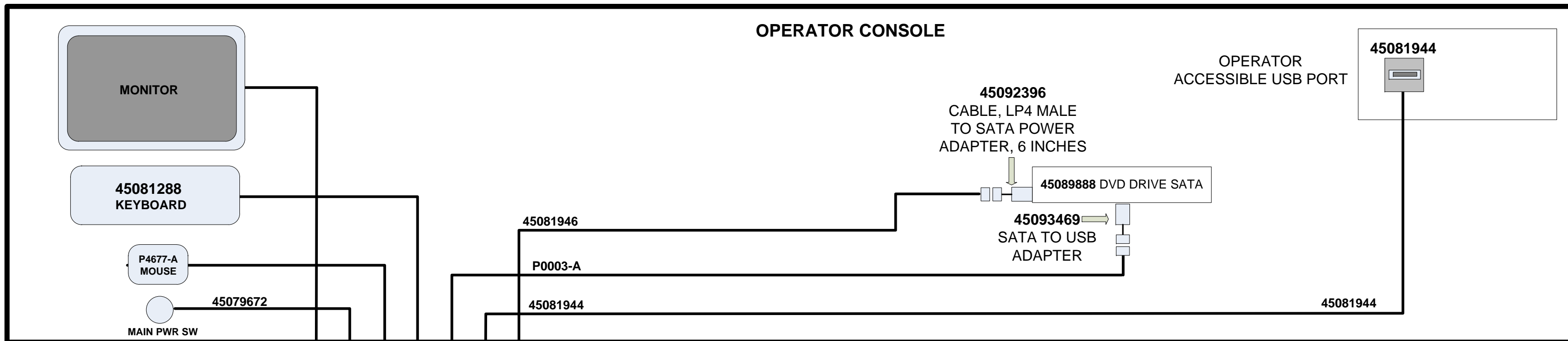
RIGHT WALL
INSIDE OF
CABINET

Electronics for Imaging
 One VUTEk Place, Meredith, NH 03253

DC INTERCONNECT DIAGRAM FOR 45097643
ASSY, ELECTRONICS BOX GS 2.0 LED OPTION
CPU CABINET SIDE

Size	FSCM NO.	DWG NO.	Rev.
		45097942	4
Scale	Date	03/09/11 DRM	Sheet 2 OF 3

OPERATOR CONSOLE

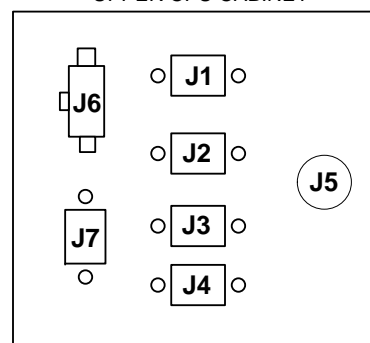


SIDE VIEW TOP BOTTOM

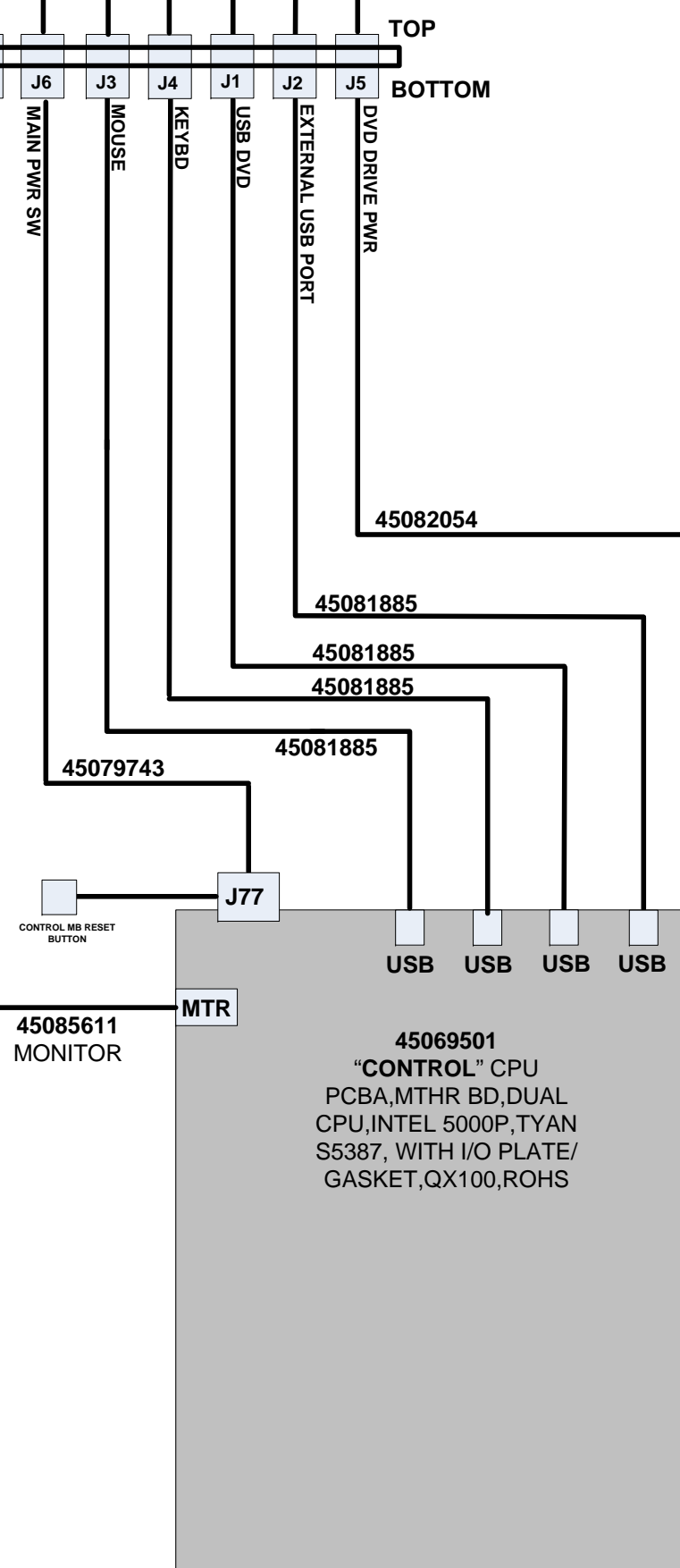
J7 J6 J3 J4 J1 J2 J5

MONITOR MAIN PWR SW MOUSE KEYBD USB DVD EXTERNAL USB PORT DVD DRIVE PWR

45082056 PLATE, BULKHEAD, UPPER CPU CABINET



TOP DOWN VIEW



45079414 POWER SUPPLY ATX 1200W SPARKLE MAGNA CONTROL

ELECTRONICS CABINET, CPU SIDE AND OPERATOR CONSOLE AREA VIEWED FROM FRONT

Electronics for Imaging

One VUTEk Place, Meredith, NH 03253

DC INTERCONNECT DIAGRAM FOR 45097643

ASSY, ELECTRONICS BOX GS 2.0 LED OPTION

USB, KVM AND PWR SW

INTERCONNECT

Size	FSCM NO.	DWG NO.	Rev.
		45097942	4
Scale	Date	Sheet	OF
	03/09/11 DRM	3	3