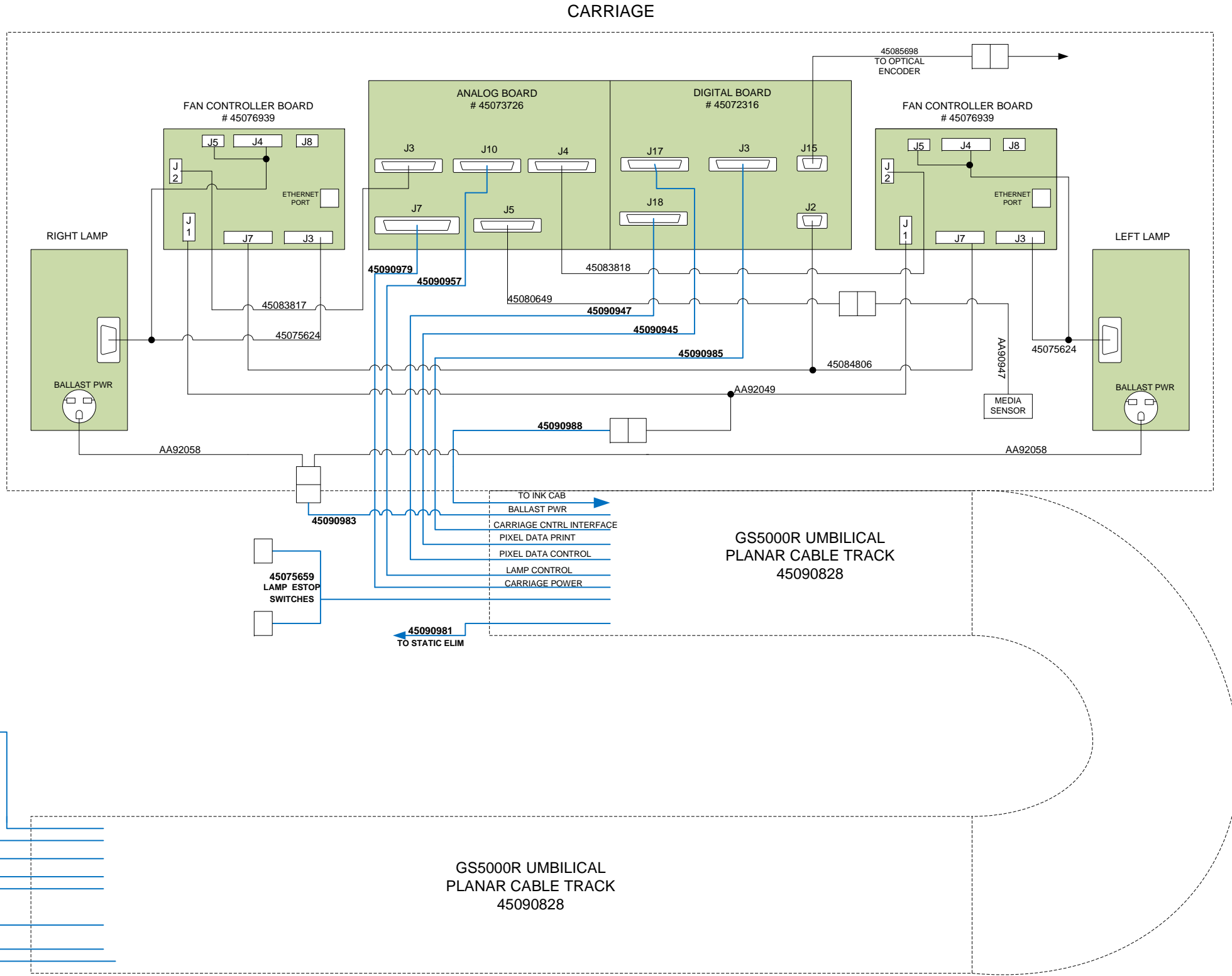
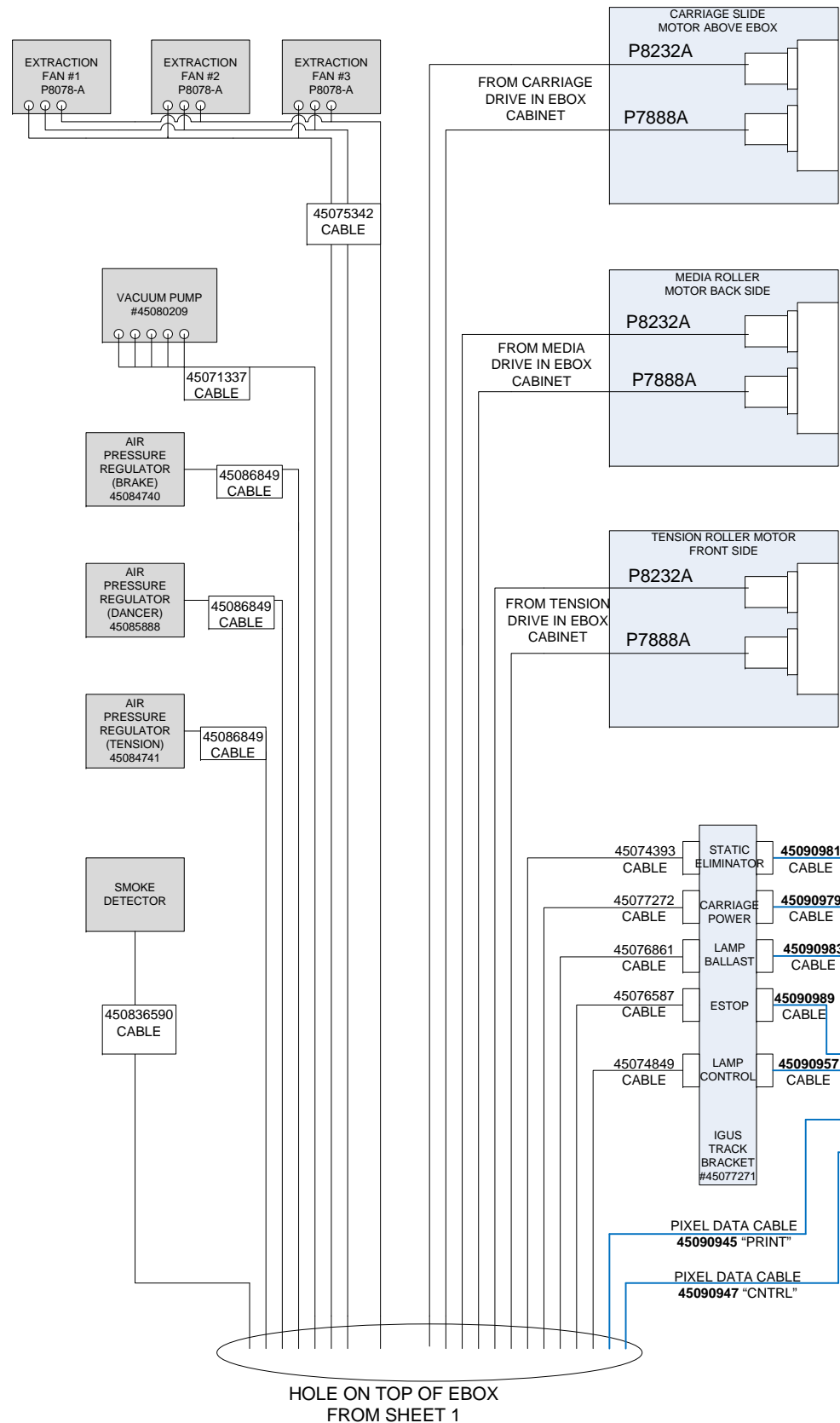


GS5000R		PRELIMINARY		
DATE		BIDDEFORD EBOX & TBOX		
6/21/10		INTERCONNECT		
DRAWN BY		DIAGRAM		
Mike Ingalls		SIZE	FSCM NO	DWG NO
		SCALE	1 : 1	45087709
		SHEET		REV
		1 OF 4		7

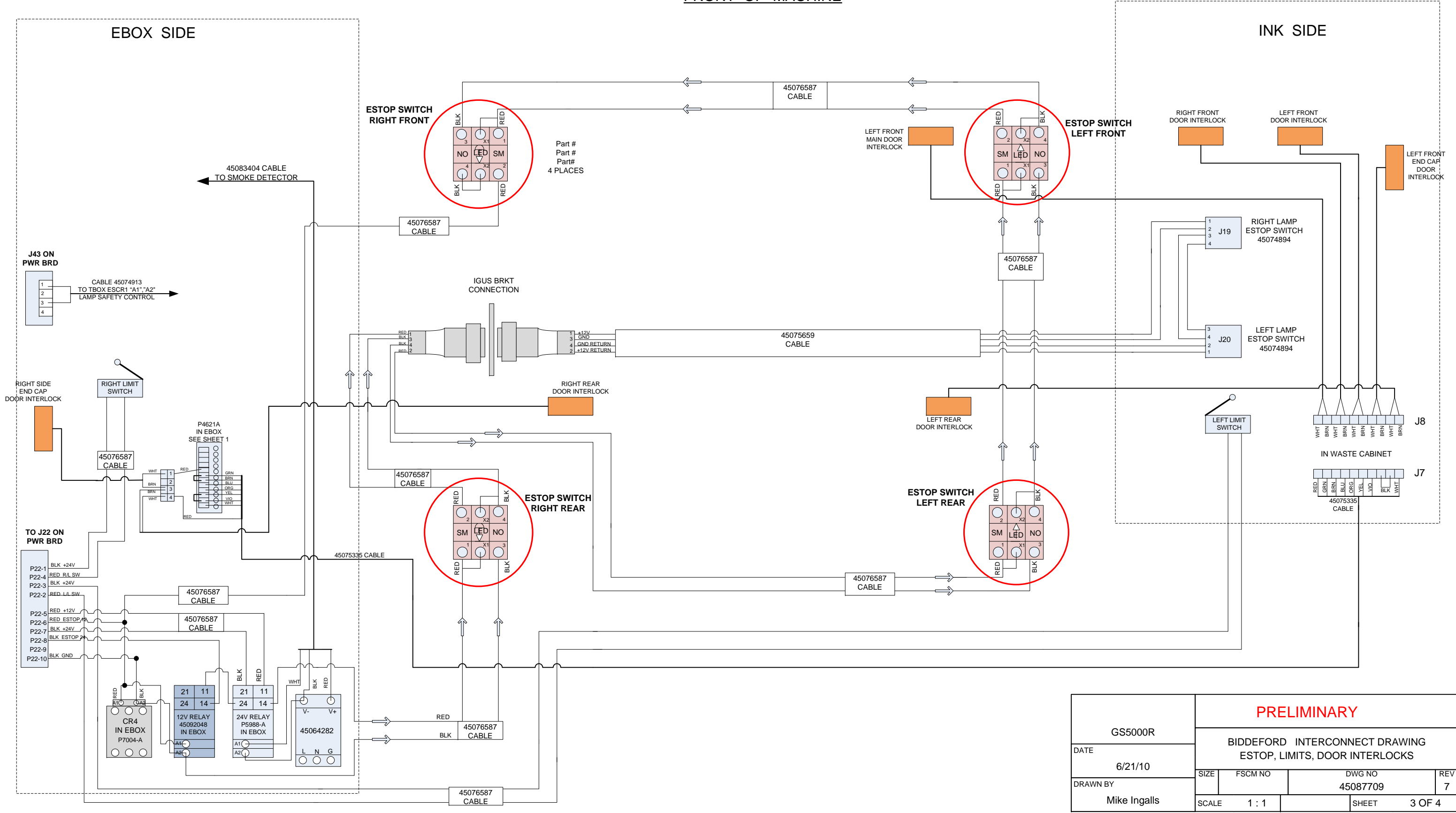


GS5000R UMBILICAL
PLANAR CABLE TRACK
45090828

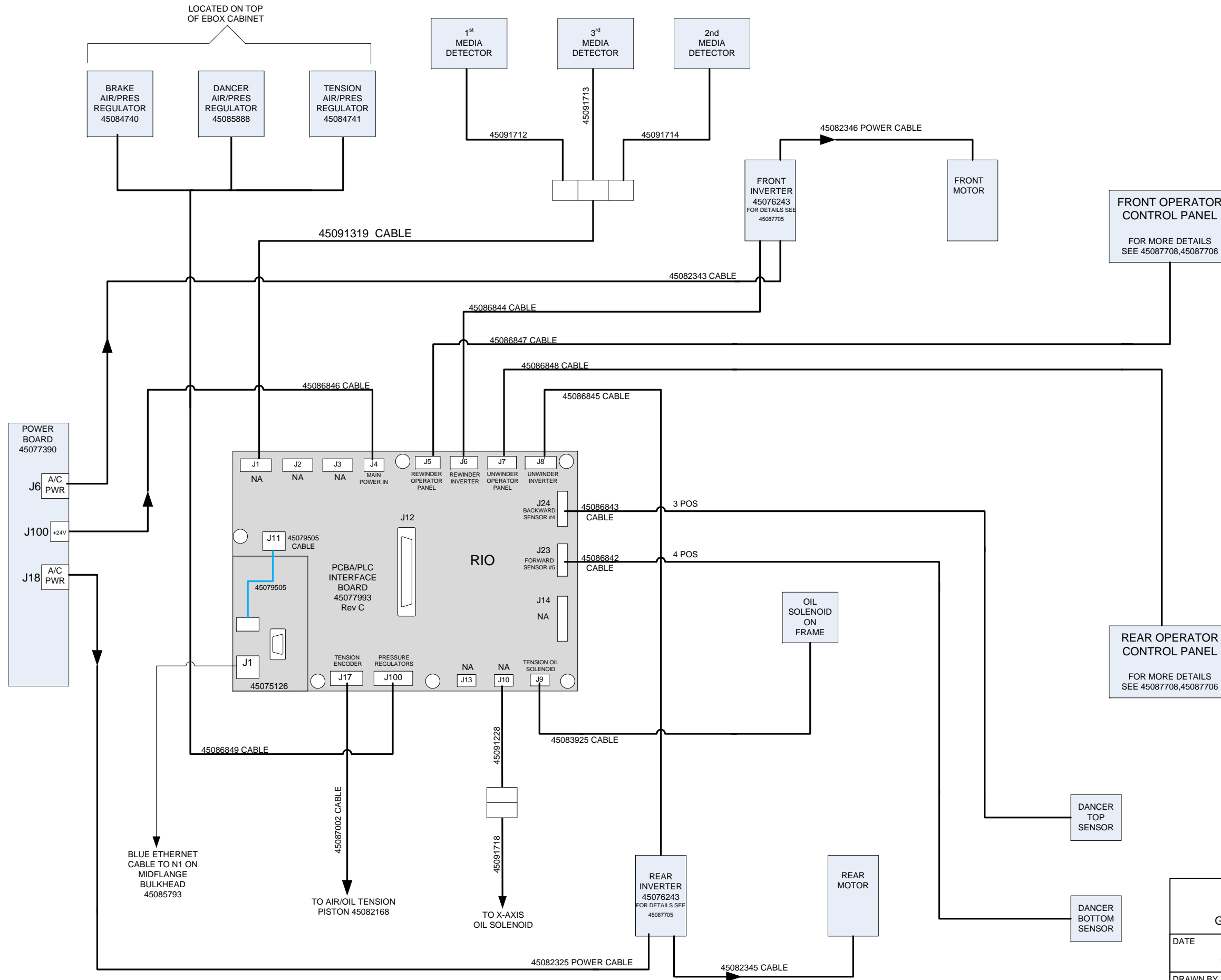
GS5000R UMBILICAL
PLANAR CABLE TRACK
45090828

GS5000R		PRELIMINARY			
DATE	06/21/10	BIDDEFORD INTERCONNECT DRAWING CARRIAGE SIDE			
DRAWN BY	Mike Ingalls	SIZE	FSCM NO	DWG NO	REV
		SCALE	1 : 1	45087709	7
				SHEET	2 OF 4

FRONT OF MACHINE



GS5000R		PRELIMINARY			
DATE		BIDDEFORD INTERCONNECT DRAWING ESTOP, LIMITS, DOOR INTERLOCKS			
6/21/10		SIZE	FSCM NO	DWG NO	REV
DRAWN BY				45087709	7
Mike Ingalls		SCALE	1 : 1	SHEET	3 OF 4



GS5000R		PRELIMINARY			
DATE 6/21/10		BIDDEFORD INTERCONNECT DRAWING RIO BOARD CABLE ROUTING			
DRAWN BY Mike Ingalls	SIZE	FSCM NO	DWG NO 45087709	REV 7	
	SCALE 1 : 1		SHEET	4 OF 4	