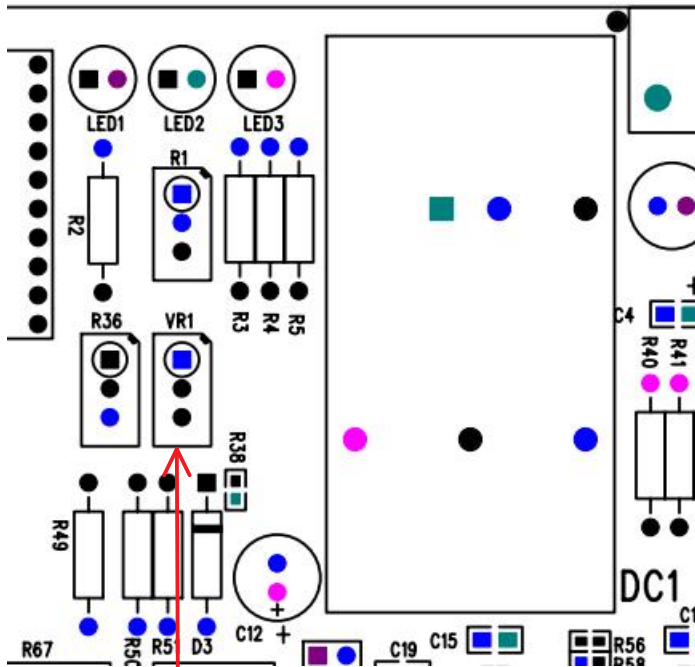
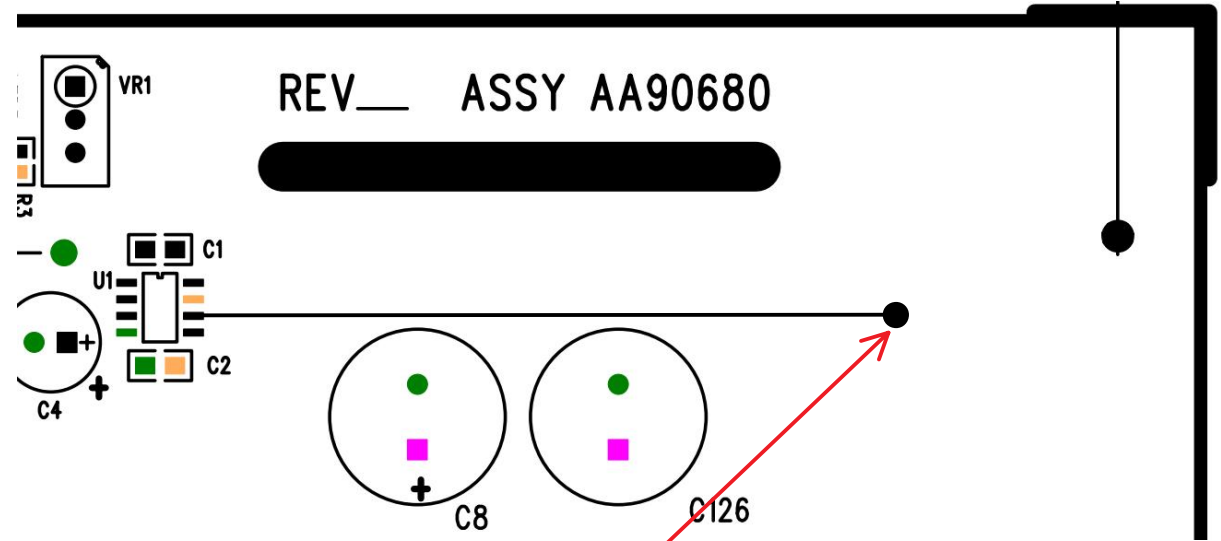
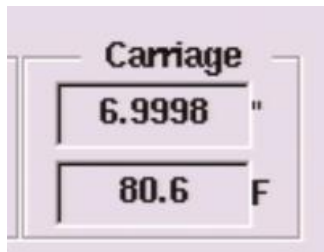


# Jet Temperature and Voltage



**Jet Pack Temperature Potentiometer VR1 on Carriage Interface Board**  
 Set to 84°F in firmware screen "Printer Setup / Diagnostic Aids", lower right corner (printer must be offline, screen can take up to 10 seconds for changes to show)



**Jet Pack Voltage Potentiometer VR1 on High Voltage Amplifier Board**  
 Set to 5V measured between this point and board ground (not frame ground!)