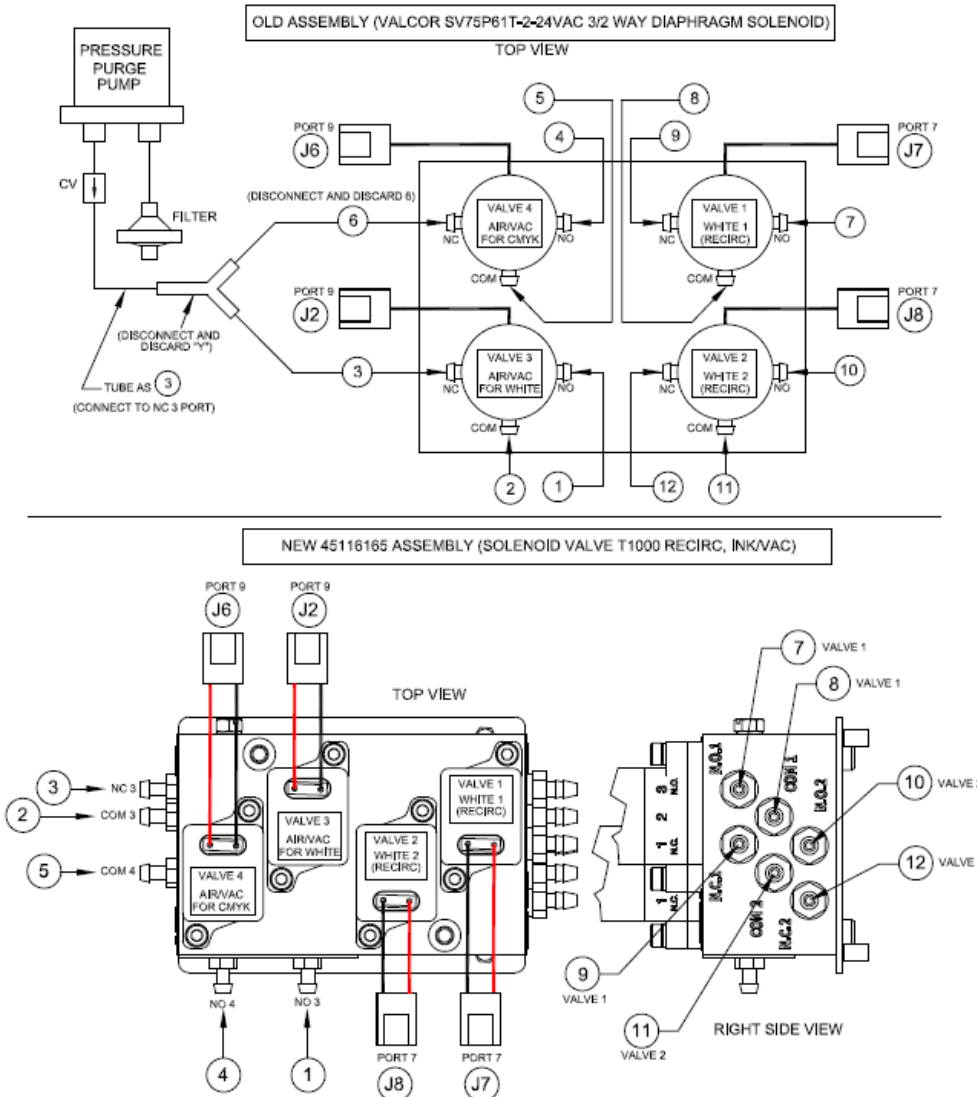


## Plumbing and Electrical Connections

Change the existing plumbing and electrical connections in accordance with [Figure 3](#) and with the instructions and illustrations provided in this document.



### CONNECTION KEY

- ① Connect N.O.3 to WHITE PVC Vacuum Tank 2
- ② Connect COM 3 to Carriage Overflow Tank (WHITE), (Routed through E-Chain)
- ③ Connect N.C.3 to Pressure Purge Pump 9 (Outlet Port)
- ④ Connect N.O.4 to CMYK PVC Vacuum Tank 1
- ⑤ Connect COM 4 to Carriage Overflow Tank (CMYK), (Routed through E-Chain)
- ⑥ Disconnect and Discard along with "Y" Connector (No Longer Used)
- ⑦ Connect N.O.1. to Ink Container 1 (Recirculation W1)
- ⑧ Connect COM 1 to Pump 1 (W1)
- ⑨ Connect N.C.1 to Carriage W1 Secondary Ink Tank
- ⑩ Connect N.O.2 to Ink Container 2 (Recirculation W2)
- ⑪ Connect COM 2 to Pump 2, (W2)
- ⑫ Connect N.C.2 to Carriage W2 Secondary Ink Tank

Figure 3: Overall Connection Diagram